



## Main Features

- ♦ 6th generation Intel® Celeron™ 3855U processor
- ♦ Discrete GPU NVIDIA® GeForce® GT 730
- ♦ Dual HDMI output (4K2K resolution support)
- ♦ Compact and slim design (H: 29mm)

## Product Overview

Powered by new generation Intel® Celeron® Processor 3855U and NVIDIA® GeForce® GT 730M, NDiS B426 digital signage player can handle 4K2K multimedia contents. With Intel® processor low power consumption feature, NDiS B426 supports display output by Dual HDMI ports. NDiS B426 is ideal as middle level digital signage player for advertising, hospitality and brand promotion application.

## Specifications

### CPU Support

- ♦ Intel® Celeron® Processor 3855U Dual Core 1.6GHz SoC

### Chipset

- ♦ Intel® HD Graphics 510
- ♦ NVIDIA® GeForce® GT 730 GPU

### Main Memory

- ♦ 1 x 260-pin SO-DIMM Sockets, Supports DDR4 1866/2133 MHz non-ECC, un-buffered memory up to 8G

### I/O Interface-Front

- ♦ 2 x USB 2.0
- ♦ 2 x USB 3.0
- ♦ 2 x Antenna hole for Wi-Fi or TV tuner

### I/O Interface-Rear

- ♦ 19V DC Power in
- ♦ 1 x Power Button
- ♦ 2 x HDMI Port
- ♦ 2 x USB 3.0
- ♦ 1 x RJ45 with LEDs 10/100/1000Mbps Ethernet
- ♦ 1 x DB9 for RS-232

- ♦ 1 x Audio-out
- ♦ 1 x Mic-in

### Storage

- ♦ 1 x 2.5" SATA HDD Bay

### Expansion

- ♦ 1 x NGFF (M.2) E key for optional WLAN

### Dimensions

- ♦ 269mm (W) x 147.4mm (D) x 29mm (H)

### Power Supply

- ♦ 1 x External 63W AC/ DC power adapter  
Input: 100VAC to 240VAC  
Output: DC+19VDC

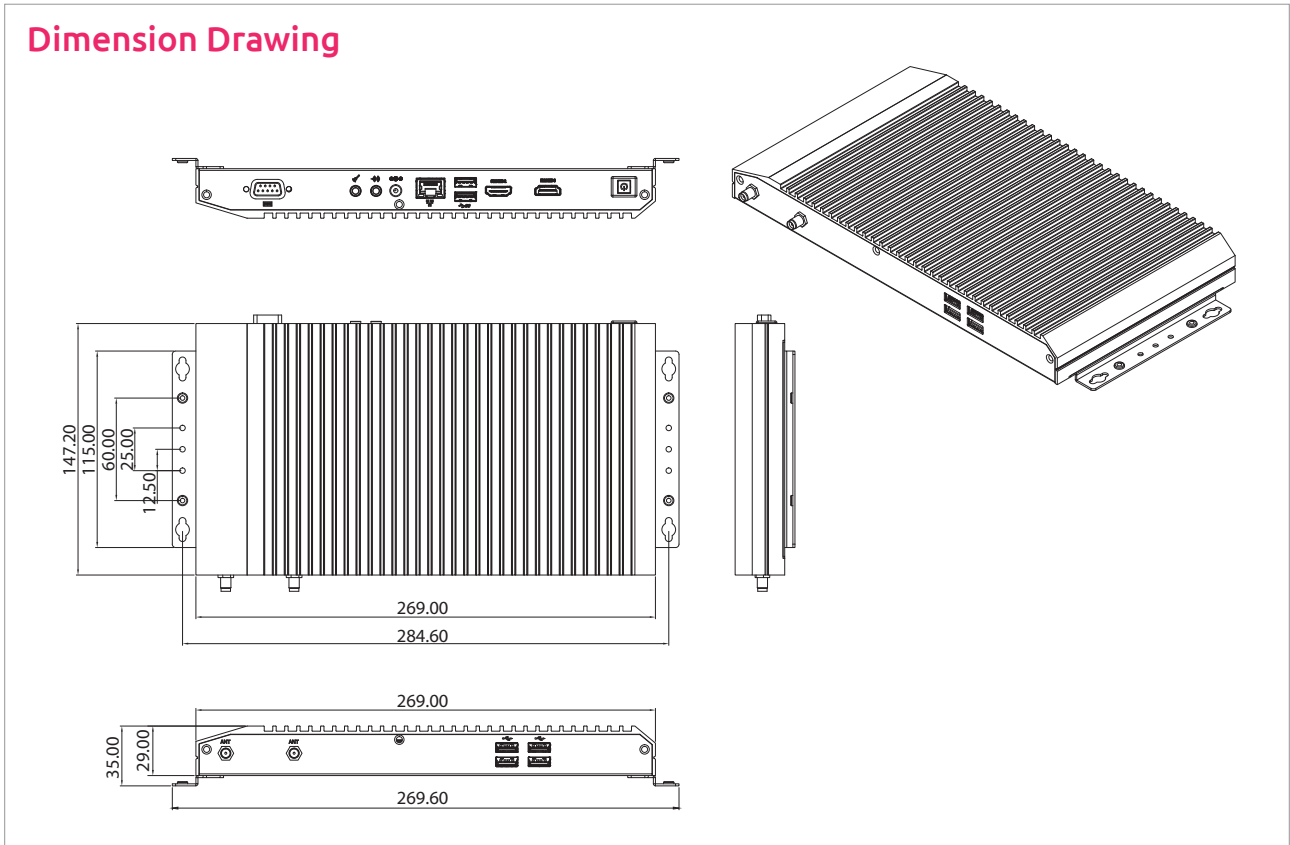
### Environment

- ♦ Operating temperature: -20°C to +50°C
- ♦ Storage temperature: -25°C to +80°C
- ♦ Humidity: 10 to 90% (non-condensing)

### Certification

- ♦ CE approval
- ♦ FCC Class A

## Dimension Drawing



## Ordering Information

- **NDiS B426 (P/N : 10W00B42600X0)**  
Intel® Celeron® Processor 3855U with Nvidia GT 730M GPU