



Specifications

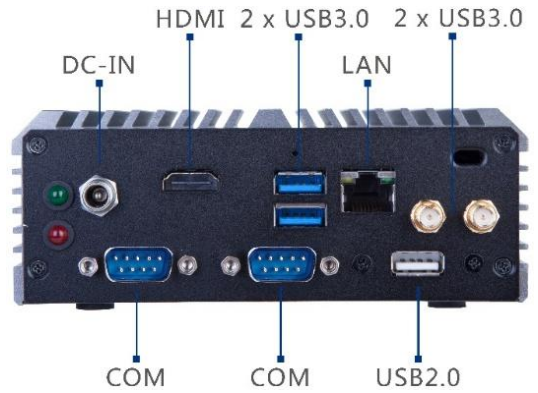
Processor	CPU	Intel® Celeron N3350/Intel® Atom x5-E3930
	Frequency	1.10 GHz (Up to 2.40 GHz) 1.30 GHz (Up to 1.80 GHz)
	BIOS	AMI Source Code
	Chipset	SOC
Memory	Type	DDR3L-1600MHz
	Max Size	Onboard 2GB
Graphics	GPU	Intel® HD Graphics 500
	Graphic Engine	DirectX 11.1, OpenGL 3.0, OCL 1.1, OpenGL ES 2.0
	HDMI	1 x HDMI (Max. 3840 x 2160@30Hz) or 1 x VGA(Max. 1920 x 1080@60Hz)
Network	Controller	1 x I210-IT Gigabit Ethernet
	Interface	1 x RJ45
I/O	USB	1 x USB 2.0, 2 x USB 3.0
	Display Interface	1 x HDMI or 1 x VGA
	Serial Port	2 x RS232
	Mini-PCle	1 x Full-size Mini-PCle for mSATA
	M.2	1 x M.2 (2230) for WIFI
JAHC Tech	JAHC	WatchDog Timer / Auto Power On / RTC
Storage	mSATA	1 x mSATA
Operation System	Windows	Windows 10(64-bit)
	Linux	Support
Power	Power Type	DC-IN
	Input Voltage	12V
Mechanical	Construction	Metal
	Dimensions	180.8 x 195.2 x 42.5mm(7.12" x 7.69" x 1.67")
	Color	Black
Environment	Operating Temperatur	0° C ~ 60° C (32 ~ 140° F) (N3350) -20° C ~ 60° C (-4 ~ 140° F) (E3930)
	Relative Humidity	95%@40°C(non-condensing)
Certification	Certification	CE/FCC Class B, CCC

Packing List

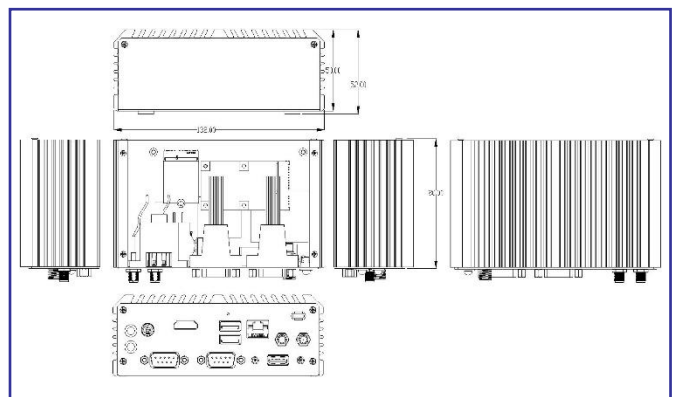
Part Number	Description	Quantity	Mark

Features

- Intel® Apollo Lake Processors
- DDR3L-1600MHz, Onboard 2GB
- 1 x HDMI or 1 x VGA
- 1 x mSATA
- 2 x USB3.0, 1 x USB2.0, 2 x RS232
- 1 x RJ45, 1 x M.2 (2230) for WIFI



Dimensions and Drawing



Order Information

Part Number	描述
ISC-261-3350	Intel® Celeron N3350; Onboard 2GB DDR3L
ISC-261-3930	Intel® Atom x5-E3930; Onboard 2GB DDR3L