

# AFL3-W10A-BT

Intel® Celeron® J1900 (Quad Core, 2.0 GHz)



# AFL3-12A-BT

Intel® Celeron® J1900 (Quad Core, 2.0 GHz)



## Features

- W10"~12" light industrial interactive panel PC
- 9 V ~ 30 V wide range DC input with lockable DC jack
- Selectable AT/ATX power mode
- Built-in speakers
- One mSATA slot
- IP64 compliant front panel
- IEI One Key Recovery solution allows you to create rapid OS backup and recovery (suggested with over 4GB storage capacity)



## Specifications



Model		AFL3-W10A-BT	AFL3-12A-BT	
LCD	Size	10.1"	12.1"	
	Resolution	1280 x 800 (16:10)	1024 x 768 (4:3)	
	Brightness (cd/m <sup>2</sup> )	350	500	
	Contrast Ratio	800:1	700:1	
	LCD Color	16.2M	16.2M	
	Pixel Pitch (mm)	0.1695 (H) x 0.1695 (V)	0.240 (H) x 0.240 (V)	
	Viewing Angle (H-V)	170° / 170°	160° / 160°	
	Backlight MTBF (hrs)	15000 hrs	50000 hrs	
Touch	Touch Screen	Projected capacitive type	5-wire resistive touch window/ projected capacitive type	
	Touch Controller	EETI EXC7200	PenMount DMC9000/ EETI EXC7200	
Motherboard	CPU	Intel® Celeron® J1900 (quad core, 2.0 GHz)	Intel® Celeron® J1900 (quad core, 2.0 GHz)	
	RAM	One 204-pin 2 GB 1333MHz single-channel, 2GB DDR3L SDRAM pre-installed (system max. 8GB)	One 204-pin 2 GB 1333MHz single-channel, 2GB DDR3L SDRAM pre-installed (system max. 8GB)	
	Ethernet	2 x PCIe GbE by RTL8111E controller	2 x PCIe GbE by RTL8111E controller	
	Audio Codec	ALC892	ALC892	
Storage	mSATA		mSATA 2.5" SATA 3Gb/s HDD bay	
I/O Ports & Switch	1 x RS-232 COM port (RJ-45 connector) 1 x RS-232/422/485 COM port (DB-9 connector)(RI/5V/12V) 2 x USB 3.0 2 x USB 2.0 2 x RJ-45 for GbE LAN 1 x Power switch 1 x Audio port (line-out) 1 x Reset button 1 x AT/ATX switch 1 x 9-30V DC lockable power jack		1 x RS-232 COM port (RJ-45 connector) 1 x RS-232/422/485 COM port (DB-9 connector)(RI/5V/12V) 2 x USB 3.0 2 x USB 2.0 2 x RJ-45 for GbE LAN 1 x Power switch 1 x Audio port (line-out) 1 x Reset button 1 x AT/ATX switch 1 x 9-30V lockable power jack	
	Audio	AMP 2W + 2W (internal speaker)		AMP 3W + 3W (internal speaker)
	Camera and Microphone	2-megapixel with low light function, digital microphone		
	Wireless & Bluetooth	IEEE 802.11a/b/g/n/ac		
	OSD Function	Software OSD		
	Physical	Front Panel Construction	PC + ABS Plastic	
		Mounting	Panel, Wall, Stand, Arm VESA 75mm x 75mm	Panel, Wall, Rack, Stand and Arm VESA 75mm x 75mm / 100mm x 100mm
		Color	Black C	
		Dimensions (WxHxD) (mm)	262 x 181 x 42	303 x 243 x 44
		Cut-out Dimensions (WxH) (mm)	236 x 150	243 x 204
Net/Gross Weight (kgs)		1.06/2.58	1.92/3.95	
Environment	Operating Temperature (°C) (Ambient with air flow)	-10°C~50°C	-20°C~50°C	
	Storage Temperature (°C)	-20°C~60°C	-20°C~60°C	
	Humidity	10% to 95% (non-condensing)		
	IP Level	IP 64 compliant front panel		
	Safety&EMC	CE / FCC		
	Thermal Solution	Fanless		
Power	Power Requirement	9 V ~ 30 V		
	Power Consumption	12V@2.3A (Intel® J1900 CPU with 2GB 1333 MHz DDR3L memory)	12V@3.58A (Intel® J1900 CPU with 2GB 1333 MHz DDR3L memory)	

## Ordering Information

Part No.	Description
AFL3-W10A-BT-J1/PC/2G-R10	10.1" 350cd/m <sup>2</sup> 1280 x 800 fanless panel PC with Intel® Celeron® J1900 quad core 2 GHz, 802.11a/b/g/n/ac, projected capacitive touch screen, 2GB DDR3L RAM, 2-megapixel camera, microphone, R10
AFL3-12A-BT-J1/PC/2G-R11	12.1"500 cd/m <sup>2</sup> XGA fanless panel PC with Intel® Celeron® J1900 quad core 2 GHz, 802.11a/b/g/n/ac, projected capacitive touch screen, 2GB DDR3L RAM, 2-megapixel camera, microphone, R11
AFL3-12A-BT-J1/R/2G-R11	12.1" 500 cd/m <sup>2</sup> XGA fanless panel PC with Intel® Celeron® J1900 quad core 2 GHz, 802.11a/b/g/n/ac, resistive touch screen, 2GB DDR3L RAM, 2-megapixel camera, microphone, R11

## Options

Item	AFL3-W10A-BT	AFL3-12A-BT
Panel Mounting Kit	AFL3PK-W07A-R10	AFL3PK-W07A-R10
Wall Mounting Kit	AFLWK-12	AFLWK-19B
Rack Mounting Kit	AFL3RK-W10A-R10	AFL3RK-12A-R10
Arm	ARM-11-RS/ARM-31-RS	ARM-11-RS/ARM-31-RS
Stand	STAND-A12-RS/STAND-C12-R10/STAND-100-RS	STAND-A12-RS/STAND-C12-R10/STAND-100-RS
V-Stand	VSTAND-A10-R11	VSTAND-A12-R11
Magnetic Card Reader	AFL3P-W10MSR-U-R10	AFL3P-W10MSR-U-R10
Barcode Scanner	AFL3-2D-R10	AFL3-2D-R10
RFID Reader (13.56 MHz Mifare Type) (For ATO assembly)	AFL3-MF-RFID-KIT02-R10	AFL3-MF-RFID-KIT02-R10*
OS: Win 7 Embedded (64-bit)	AFL3-W07A-BT-WES7P64-R11 (for PCAP touch)	AFL3-W07A-BT-WES7P64-R11 (for PCAP touch) AFL3-W07A-BT-WES7E64-R11 (for Resistive touch)
OS: Win 8 Embedded (64-bit)	AFL3-W07A-BT-WE8S64-R10	

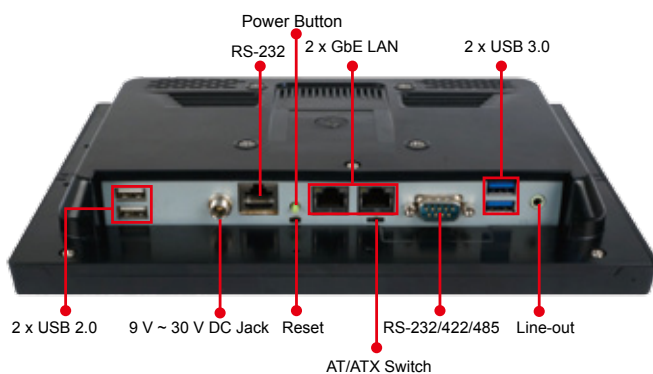
\*RFID support after AFL3-xxA-BT R11 version

## Packing List

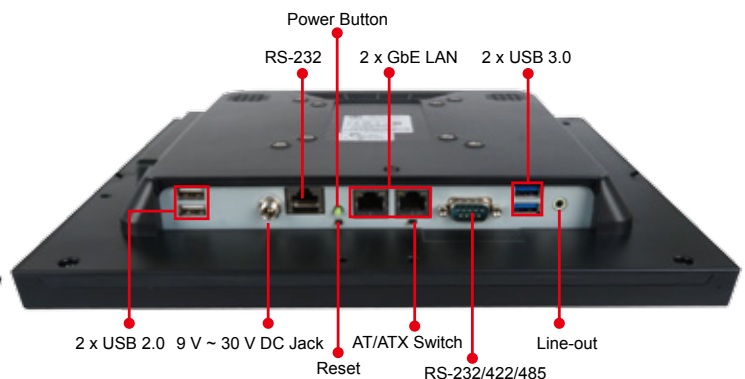
Item	Part No.	Q'ty	Description
One Key Recovery DVD	7B000-001083-RS	1	
Round head machine screw	44003-020041-RS (12A-BT)	2	M2*4 round head machine screw
Pan head machine screw	44403-040061-RS	4	M4*6 pan head machine screw
Fix holder	46003-009500-RS	2	
Power cord	32702-000200-100-RS	1	
Power adapter	63040-010036-121-RS (AFL3-W10A-BT) 63040-010060-120-RS (AFL3-12A-BT)	1	36W; Vin: 90V~264V AC; Vout: 12VDC 60W; Vin: 90V~264V AC; Vout: 12VDC
Driver CD		1	
RJ-45 to DB-9 COM port transfer cable	32005-000200-200-RS (12A-BT)	1	300mm, 26AWG, (A) D-SUB 9 male, (B) RJ-45
Touch pen	43125-0002C0-00-RS	1	Resistive touch screen only



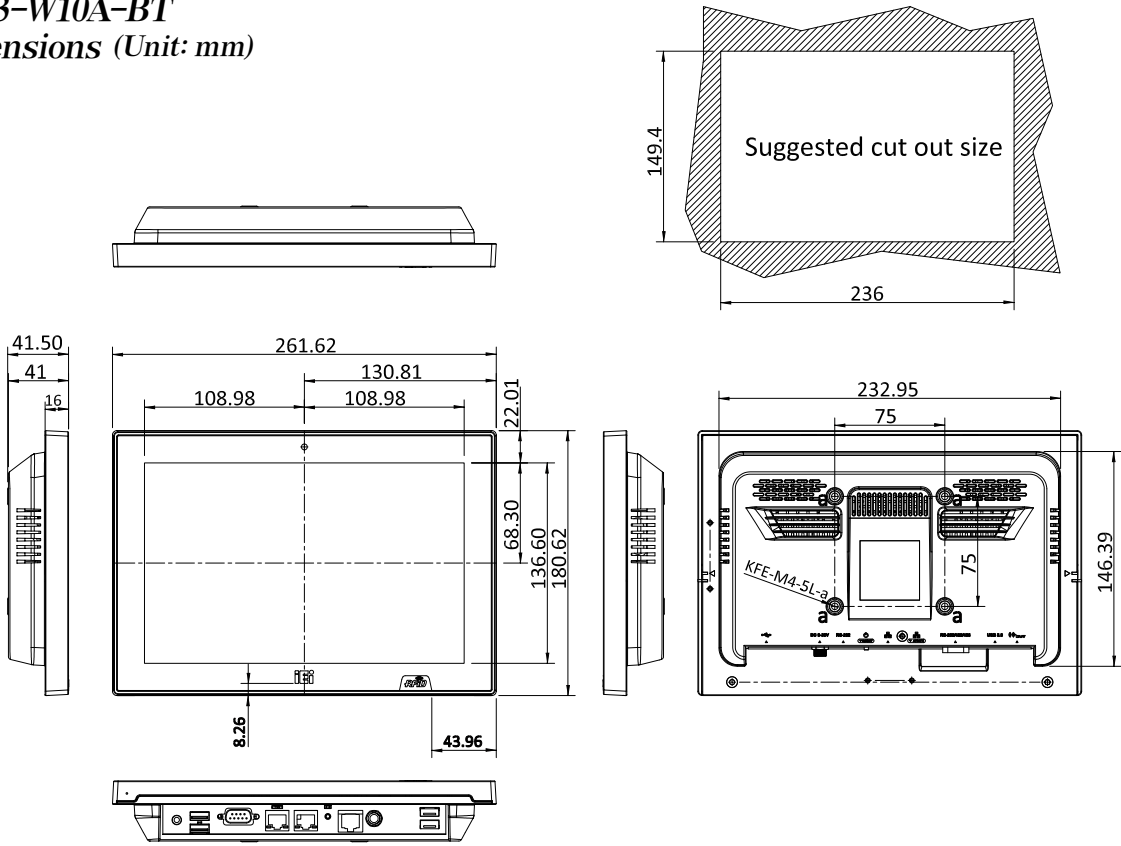
## AFL3-W10A Fully Integrated I/O



## AFL3-12A Fully Integrated I/O



**AFL3-W10A-BT**  
**Dimensions (Unit: mm)**



**AFL3-12A-BT**  
**Dimensions (Unit: mm)**

