

AFL3-W15A-BT

Intel® Celeron® J1900 (Quad Core, 2.0 GHz)



AFL3-W15B-H81

Intel® Core™ i7/i5/i3, Pentium® and Celeron®



AFL3-W15C-ULT3

Intel Core™ i7/i5/i3 and Celeron® on-board Processor



Features

- W15" light industrial interactive panel PC
- 9 V ~ 30 V wide range DC power input
- Selectable AT/ATX power mode
- Built-in speakers
- One mSATA slot
- IP64 compliant front panel
- IEI One Key Recovery solution allows you to create rapid OS backup and recovery (suggested with over 4GB storage capacity)



Specifications



| Model | | AFL3-W15A-BT | AFL3-W15B-H81 | AFL3-W15C-ULT3 <i>Preliminary</i> | |
|------------------------|--|---|---|--|----------------|
| LCD | Size | 15.6" | | | |
| | Resolution | 1366 x 768 (16:9) | | | |
| | Brightness (cd/m ²) | 300 | | | |
| | Contrast Ratio | 700:1 | | | |
| | LCD Color | 16.7M | | | |
| | Pixel Pitch (mm) | 0.240 (H) x 0.240 (V) | | | |
| | Viewing Angle (H-V) | 160° / 160° | | | |
| | Backlight MTBF (hrs) | 50000 (LED backlight) | | | |
| Touch | Touch Screen | 5-wire resistive type with RS-232 interface / projected capacitive type with USB interface | | | |
| | Touch Controller | PenMount DMC9000/ EETI EXC7200 | | | |
| Motherboard | CPU | Intel® Celeron® J1900 (quad core, 2 GHz) | Intel® Core™ i7/i5/i3, Pentium®, Celeron® processor (TDP 35W) | Intel Core™ i7/i5/i3 and Celeron® on-board Processor | |
| | Chipset | N/A | Intel® H81 | | |
| | RAM | One 204-pin 1333MHz single-channel DDR3L SDRAM, 2GB pre-installed (system max. 8GB) | Two 204-pin 1333MHz single-channel DDR3L SDRAM, 4GB pre-installed (system max. 16GB) | Two 260-pin DDR4 SO-DIMMs (system max. 32GB) | |
| | Ethernet | 2 x PCIe GbE by RTL8111E controller | | LAN1: Intel® I219-LM PHY with Intel® AMT 11.0 supported LAN2: Intel® I211-AT PCIe GbE controller | |
| | Audio Codec | ALC892 | | | |
| Storage | mSATA , 2.5" SATA 3Gb/s HDD bay | | 2.5" SATA 3Gb/s HDD bay M.2 M key PCIe storage (2280 or 22110) | | |
| I/O Ports & Switch | | 1 x RS-232 COM port (RJ-45 connector) 1 x RS-232/422/485 COM port (DB-9 connector) (RI/5V/12V) 2 x USB 2.0 2 x USB 3.0 2 x GbE LAN 1 x Power switch 1 x Reset button 1 x AT/ATX switch 1 x Audio port (line-out) 1 x 9-30V lockable power jack | 1 x RS-232 COM port (DB-9 connector) 1 x RS-232/422/485 COM port (DB-9 connector) (RI/5V/12V) 2 x GbE LAN 4 x USB 2.0 2 x USB 3.0 1 x HDMI output 1 x Power switch 1 x Reset button 1 x AT/ATX switch 1 x Audio port (line-out) 1 x 9-30V lockable power jack | 1 x RS-232 by DB-9 (RI/5V/12V) 1 x RS-232/422/485 by DB-9 (RI/5V/12V) 2 x GbE LAN 4 x USB3.0 1 x HDMI output 1 x Power Switch 1 x Reset Button 1 x AT/ATX switch 1 x 9-30V Lockable Power Jack | |
| | Audio | AMP 3W + 3W (internal speakers) | | | |
| | Camera and Microphone | 2-megapixel with low light function, digital microphone | | | |
| | Wireless & Bluetooth | IEEE 802.11a/b/g/n/ac | IEEE 802.11a/b/g/n/ac, Bluetooth v4.0 | IEEE 802.11a/b/g/n/ac, Bluetooth v4.0 | |
| | OSD Function | Software OSD | | | |
| | Physical | Front Panel Construction | PC + ABS Plastic | | |
| | | Mounting | Panel, Wall, Rack, Stand and Arm VESA 75mm x 75mm / 100mm x 100mm | | |
| | | Color | Black C | | |
| | | Dimensions (WxHxD) (mm) | 396 x 250 x 53 | 396 x 250 x 59 | 396 x 250 x 64 |
| | | Cut-out Dimensions (WxH) (mm) | 273 x 226 | 369 x 226 | 369 x 226 |
| Net/Gross Weight (kgs) | | 3.3/5.6 | 3.74/5.74 | 4.5/6.5 | |
| Environment | Operating Temperature (°C) (Ambient with air flow) | -20°C~50°C | 0°C~50°C | -20°C~50°C | |
| | Storage Temperature (°C) | -20°C~60°C | | | |
| | Humidity | 10% to 95% (non-condensing) | | | |
| | IP Level | IP 64 compliant front panel | | | |
| | Safety&EMC | CE / FCC | | | |
| Power | Thermal Solution | Fanless | Smart Fan | Fanless | |
| | Power Requirement | 9 V ~ 30 V | | | |
| | Power Consumption | 12V@4.16A (Intel® J1900 CPU with 2GB 1333 MHz DDR3 memory) | 12V@6.33A (Intel® Intel® Pentium® G3320TE CPU with 4GB 1333 MHz DDR3L memory) | 12V@4.6A | |

Ordering Information

● Intel® Celeron® Platform

| Part No. | Description |
|---------------------------|--|
| AFL3-W15A-BT-J1/PC/2G-R11 | Wide 15.6" 300 cd/m ² 1366 x 768 fanless panel PC with Intel® Celeron® J1900 quad core 2 GHz, 802.11a/b/g/n/ac, projected capacitive touch screen, 2GB DDR3L RAM, 2-megapixel camera, microphone, R11 |
| AFL3-W15A-BT-J1/R/2G-R11 | Wide 15.6" 300 cd/m ² 1366 x 768 fanless panel PC with Intel® Celeron® J1900 quad core 2 GHz, 802.11a/b/g/n/ac, resistive touch window, 2GB DDR3L RAM, 2-megapixel camera, microphone, R11 |

● Intel® H81 Platform

| Part No. | Description |
|----------------------------|---|
| AFL3-W15B-H81-P/R/4G-R10 | Wide 15.6" 300 cd/m ² 1366 x 768 panel PC with Intel® H81 chipset, Intel® Pentium® G3320TE dual-core processor (2.3 GHz), TDP 35W, two 2GB DDR3 RAM, 802.11a/b/g/n/ac, resistive touch screen, 2-megapixel camera, microphone, R10 |
| AFL3-W15B-H81-i3/R/4G-R10 | Wide 15.6" 300 cd/m ² 1366 x 768 panel PC with Intel® H81 chipset, Intel® Core™ i3-4330TE dual-core processor (2.4 GHz), TDP 35W, two 2GB DDR3 RAM, 802.11a/b/g/n/ac, resistive touch screen, 2-megapixel camera, microphone, R10 |
| AFL3-W15B-H81-i5/R/4G-R10 | Wide 15.6" 300 cd/m ² 1366 x 768 panel PC with Intel® H81 chipset, Intel® Core™ i5-4570TE dual-core processor (2.7 GHz), TDP 35W, two 2GB DDR3 RAM, 802.11a/b/g/n/ac, resistive touch screen, 2-megapixel camera, microphone, R10 |
| AFL3-W15B-H81-P/PC/4G-R10 | Wide 15.6" 300 cd/m ² 1366 x 768 panel PC with Intel® H81 chipset, Intel® Pentium® G3320TE dual-core processor (2.3 GHz), TDP 35W, two 2GB DDR3 RAM, 802.11a/b/g/n/ac, PCAP touch screen, 2-megapixel camera, microphone, R10 |
| AFL3-W15B-H81-i3/PC/4G-R10 | Wide 15.6" 300 cd/m ² 1366 x 768 panel PC with Intel® H81 chipset, Intel® Core™ i3-4330TE dual-core processor (2.4 GHz), TDP 35W, two 2GB DDR3 RAM, 802.11a/b/g/n/ac, PCAP touch screen, 2-megapixel camera, microphone, R10 |
| AFL3-W15B-H81-i5/PC/4G-R10 | Wide 15.6" 300 cd/m ² 1366 x 768 panel PC with Intel® H81 chipset, Intel® Core™ i5-4570TE dual-core processor (2.7 GHz), TDP 35W, two 2GB DDR3 RAM, 802.11a/b/g/n/ac, PCAP touch screen, 2-megapixel camera, microphone, R10 |

● Intel® Skylake ULT3 Platform Preliminary

| Part No. | Description |
|----------------------------|---|
| AFL3-W15C-ULT-C/R/4G-R10 | Wide 15.6" 300 cd/m ² 1366x768 Panel PC with withIntel® 14nm 6th Generation Mobile Celeron® 3955U (15W) on-board Processor (ULT), 1*4GB DDR4 RAM, 802.11a/b/g/n/ac WiFi module, resistive touch, 2M camera, microphone,R10 |
| AFL3-W15C-ULT-i5/R/4G-R10 | Wide 15.6" 300 cd/m ² 1366x768 Panel PC with Intel® 14nm 6th Generation Mobile Core™ i5- 6300U (15W) on-board Processor (ULT), 1*4GB DDR4 RAM, 802.11a/b/g/n/ac WiFi module, resistive touch, 2M camera, microphone,R10 |
| AFL3-W15C-ULT-C/PC/4G-R10 | Wide 15.6" 300 cd/m ² 1366x768 Panel PC with withIntel® 14nm 6th Generation Mobile Celeron® 3955U (15W) on-board Processor (ULT), 1*4GB DDR4 RAM, 802.11a/b/g/n/ac WiFi module, PCAP touch, 2M camera, microphone, R10 |
| AFL3-W15C-ULT-i5/PC/4G-R10 | Wide 15.6" 300 cd/m ² 1366x768 Panel PC with Intel® 14nm 6th Generation Mobile Core™ i5-6300U (15W) on-board Processor (ULT), 1*4GB DDR4 RAM, 802.11a/b/g/n/ac WiFi module, PCAP touch, 2M camera, microphone,R10 |

Options

Preliminary

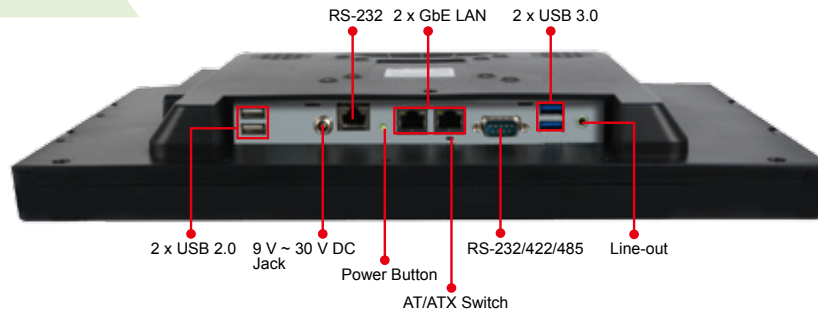
| Item | AFL3-W15A-BT | AFL3-W15B-H81 | AFL3-W15C-ULT3 |
|--|---|---|---|
| Panel Mounting Kit | AFL3PK-W07A-R10 | | |
| Wall Mounting Kit | AFLWK-19B | | |
| Rack Mounting Kit | AFL3RK-W15A-R10 | AFL3RK-W15B-R10 | AFL3RK-W15C-R10 |
| Arm | ARM-11-RS/ARM-31-RS | | |
| Stand | STAND-A21-R10/ STAND-210-R11/STAND-A19-RS/STAND-C19-R10 | | |
| Magnetic Card Reader | AFL3P-W10MSR-U-R10 | | |
| Barcode Scanner | AFL3-2D-R10 | | |
| RFID Reader (13.56 MHz Mifare Type) (For ATO assembly) | AFL3-MF-RFID-KIT02-R10* | AFL3-MF-RFID-KIT02-R10 | AFL3-MF-RFID-KIT02-R10 |
| OS: Win 7 Embedded (64-bit) | AFL3-W07A-BT-WES7P64-R11 (for PCAP touch) AFL3-W07A-BT-WES7E64-R11 (for Resistive touch) | AFL3-W15B-H81-WES7P64-R10 (for PCAP touch) AFL3-W15B-H81-WES7E64-R10 (for Resistive touch) | AFL3-W15C-ULT3-WES7P64-R10 (for PCAP touch) AFL3-W15C-ULT3-WES7E64-R10 (for Resistive touch) |
| OS: Win 8 Embedded (64-bit) | AFL3-W07A-BT-WE8S64-R10 | AFL3-W15B-H81-WE8S64-R10 | AFL3-W15C-ULT3-WE8S64-R10 |

*RFID support after AFL3-xxA-BT R11 version

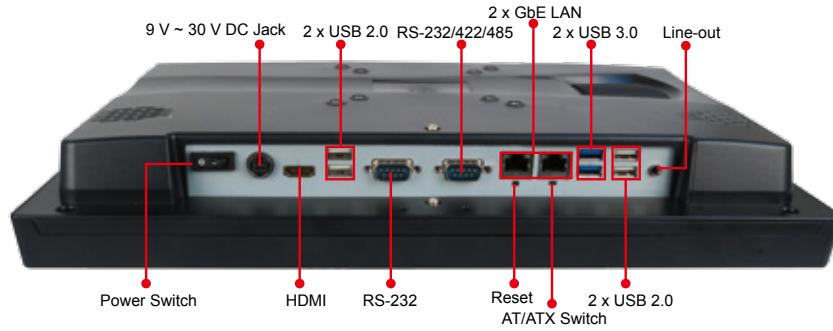
Packing List

| Item | Part No. | Q'ty | Description |
|---------------------------------------|-----------------------------------|------|---|
| One Key Recovery DVD | 7B000-001083-RS | 1 | |
| Round head machine screw | 44003-020041-RS (W15A-BT/15B-H81) | 4 | M2*4 round head machine screw |
| Pan head machine screw | 44403-040061-RS | 4 | M4*6 pan head machine screw |
| Fix holder | 46003-009500-RS | 2 | |
| Power cord | 32702-000200-100-RS | 1 | |
| Power adapter | 63040-010060-120-RS (W15A-BT) | 1 | 60W; Vin: 90V~264V AC; Vout: 12VDC |
| | 63040-010096-100-RS (W15B-H81) | 1 | 96W; Vin: 90V~264V AC; Vout: 12VDC |
| Driver CD | | 1 | |
| RJ-45 to DB-9 COM port transfer cable | 32005-000200-200-RS (W15A-BT) | 1 | 300mm, 26AWG, (A) D-SUB 9 male, (B) RJ-45 |
| Touch pen | 43125-0002C0-00-RS | 1 | Resistive touch screen only |

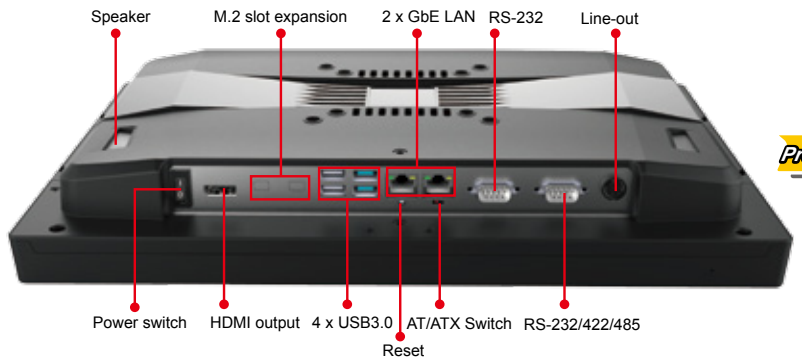
AFL3-W15A-BT
Fully Integrated I/O



AFL3-15B-H81
Fully Integrated I/O

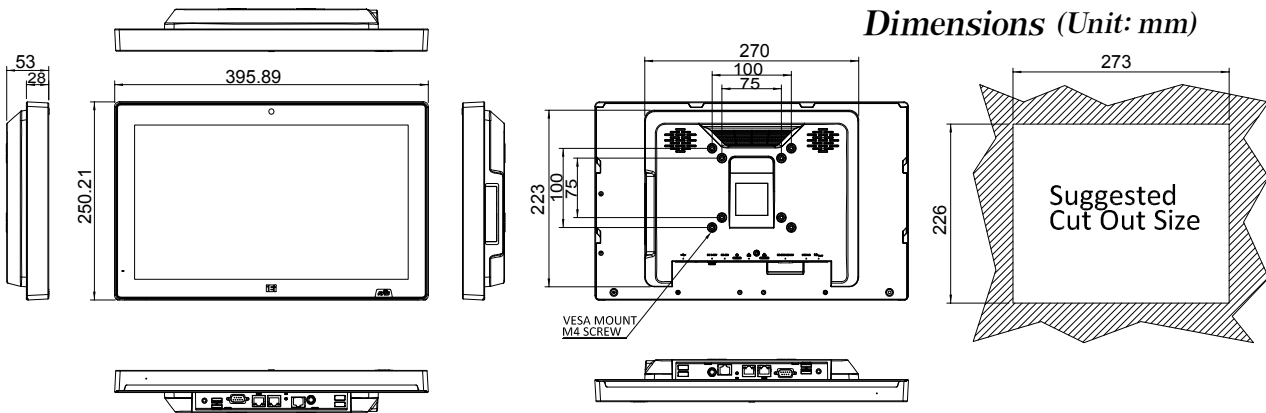


AFL3-W15C-ULT3
Fully Integrated I/O



Preliminary

AFL3-W15A-BT
Dimensions (Unit: mm)



AFL3-W15B-H81
Dimensions (Unit: mm)

