



Main Features

- 8" SVGA TFT LCD Monitor
- Automatic/ Manual brightness control
- Wide range DC input from 9~36V
- On screen control buttons
- Support USB 2.0 and card reader
- Camera sensor on front panel (Optional)
- Sunlight readable solution with 1000cd/m² high brightness support
- Front panel compliant with IP54

Product Overview

VMD 2002 is an 8-inch TFT LCD monitor with 4 wire resistant touch screen sensor. With the high brightness display and automatically brightness control, it is designed for in-vehicle applications. In support of standard VGA interface, it can be configured to link to the most of vehicle computers. It also provides USB and card reader features, and reserves camera sensor as an option. Those friendly interfaces benefit the technicians during maintenances. Its front panel is compliant to IP54, and wide range power input and operating temperature to meet with industrial applications.

Specifications

LCD Panel

- 8-inch TFT LCD panel with LED backlight
- 800 x 600 pixels (SVGA)
- Brightness: 400 cd/m² (typical)
- Contrast ratio: 500:1 (typical)

Touch Screen Sensor

- 4-wire resistant touch
- Anti-glare coating surface
- Transmission rate: 82 ± 3%

Front Panel

- Control buttons x 5
 - Power on/off
 - Volume control (+/-)
 - Brightness control (+/-)
- Light sensor
- LED indicators x 2
- Built-in speakers (1.2W)x 2

Lateral Side I/O

- 1 x SD/MMC/MS card reader
- 1 x USB type A Host
- 1 x Line-out (automatic detection/ switch to external speaker)
- 1 x Mic-in

Bottom Side I/O

- 1 x Line-in
- 1 x Mic-out
- 1 x DVI-D connector integrate USB, VGA and DC power

Optional Features

- 2.0M pixels CCD camera on front panel
- Sunlight-Readable Display with High Brightness LCD (1000 cd/m²)
- Support VESA mount kit

Dimensions

- 207mm (W) x 173mm (H) x 36.7mm (D)
- 0.7 Kg (1.54 Lb)

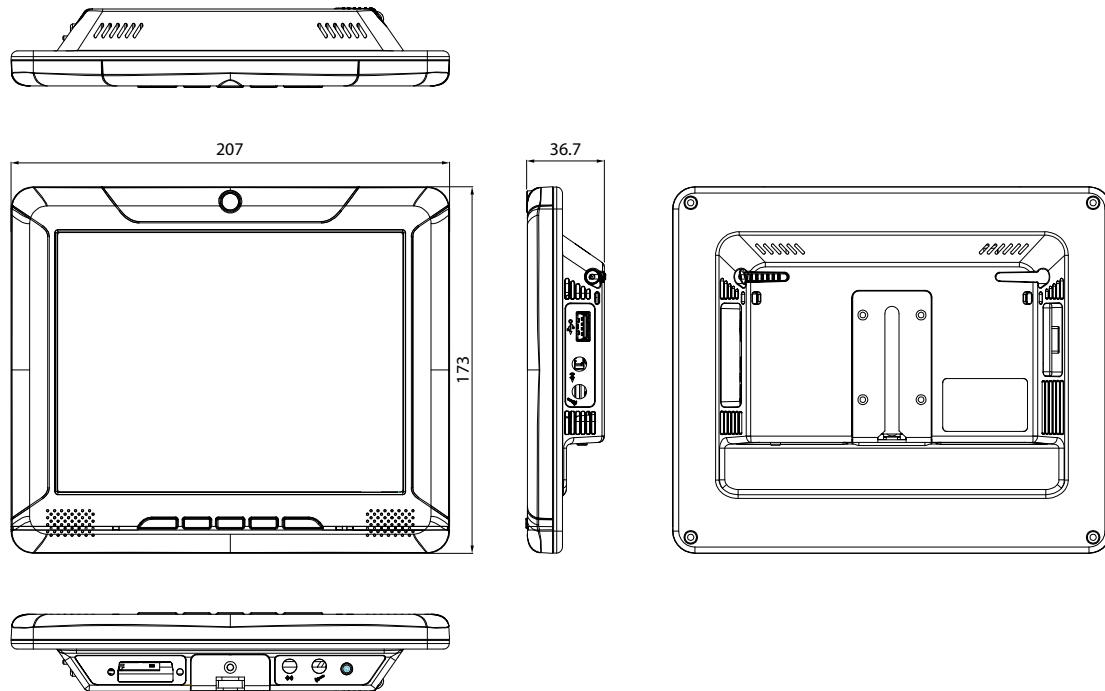
Environment

- Operating temperature: -20°C to 60°C
- Storage temperature: -30°C to 70°C

Certifications

- CE approval
- FCC Class B

Dimension Drawing



Ordering Information

- **VMD 2002-B (P/N: 10VD0200202X0)**
8" SVGA vehicle mount display with touch screen and USB, VGA and Power cable integrated
- **VMD 2002-BS (P/N: TBD)**
8" SVGA vehicle mount display with touch screen, USB, VGA, Power and sunlight readable cable integrated
- **VMD 2002-P (P/N: TBD)**
8" SVGA vehicle mount display with touch screen, USB, VGA, Power and CCD camera
- **VMD 2002-PS (P/N: TBD)**
8" SVGA vehicle mount display with touch screen, USB, VGA, Power, CCD camera and sunlight readable
- **Bundle Accessories**
VGA, USB and Power integrated cable (1.5M)
Audio cable
Cable fastener
CD-ROM x 1