



Main Features

- 12.1" XGA TFT LCD monitor with 5-wire resistive
- Compact and fanless design
- Built-in Intel® Core™ i7-2610UE processor
- Automatic/manual brightness control
- On screen F1 ~ F10 programmable function keys
- GPS, WLAN, and WWAN supported
- CANBus 2.0B, and OBDII for car diagnostic
- Robust design with Die-cast aluminum
- All enclosure compliant with IP65
- Wide range DC input from 9 ~ 36V
- Sunlight readable solution with 1300 nits display
- Military test standard for vibration and shock
- Operating system: Windows & Linux

Product Overview

VMC 4511-K, 12.1-inch all in one robust vehicle mount computer, is designed for the transportation, warehouses and material handling application. Adopting the latest high performance processor Intel® Core™ i, it integrates the high resolution LCD with the brightness of 1300 nits (sunlight readable) and 5-wire resistive touch. VMC 4511-K is extreme ruggedness, whose aluminum enclosure compliant with IP65 is designed against vibration, dust, moisture and chemical impacts. It provides RS-232, USB 2.0, DIO, CFast, and LAN to connect with necessary accessories. Besides, CANBus 2.0B can help to get immediate car status for diagnosis. VMC 4511-K also offers GPS, WLAN and WWAN for remote communication purpose. Thus, the VMC 4511-K is an ideal solution for vehicle terminal on forklifts, gantry crane, straddle carriers, truck, mining vehicles, and construction machines.

Specifications

General

- Cooling System: Fanless
- Enclosure: Aluminum die casting
- Mounting: Support VESA 75/100, Panel and stand mounting
- Three SMA Type antenna connectors of BT/Wi-Fi/WWAN
- Power Input: 9 ~ 36VDC input with Ignition
- Power Consumption: 26W typical
- Ingress Protection: IP65
- Dimension: 340mm (W) x 262mm (H) x 75.1mm (D) (13.38" x 10.31" x 2.96")
- Weight: 3.5Kg, 7.72Lb

LCD Panel

- 12.1-inch TFT LCD panel with LED backlight
- 1024 x 768 pixels (XGA)
- Brightness: 1300 cd/m² (typical)
- Contrast ratio: 600:1 (typical)

Touch Screen Sensor

- 5-wire resistant touch
- Anti-glare coating surface
- Transmission rate: 81 ± 3%

CPU & Chipset

- Intel® Core™ i7-2610UE
- Intel® QM67 PCH chipset

Memory

- One 204-pin DDR3 1333MHz SO-DIMM slot (up to 4GB)

Expandable Storage

- 1 x CFast
- 1 x 2.5" SATA SSD bay

Expansion

- 2 x mini-PCIe socket (PCIe + USB) for WLAN/mSATA option
- 1 x mini-PCIe socket (USB) x 1 for WWAN option
- 2 x OBDII module with J1939 for option

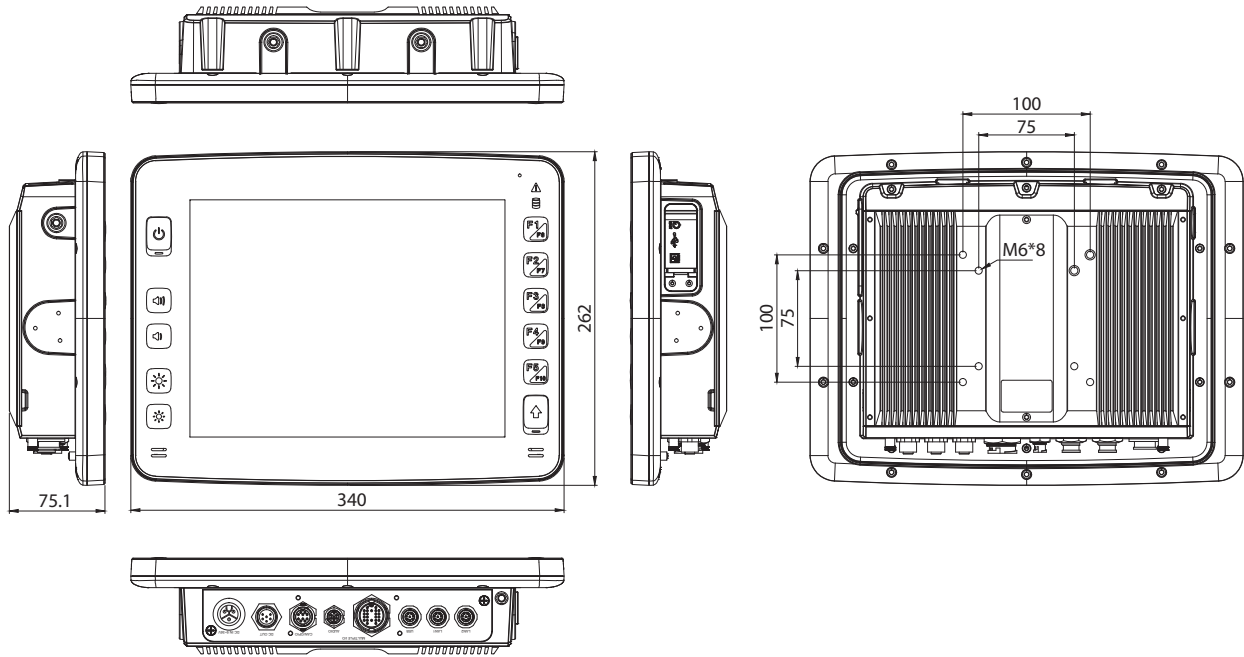
I/O Interface-Front

- On screen display buttons x 5
 - Power on/off
 - Volume control (+/-)
 - Brightness control (+/-)
- Light sensor
- 4 x LED indicators (Power on/off, Storage, Warning, Shift)
- F1 ~ F10 functions key
- 2 x Built-in 2W speakers

I/O Interface-Lateral

- 1 x CFast card slot
- System reset button
- USB 2.0 host type A connector

Dimension Drawing



I/O Interface-Bottom

- 1 x GPS Antenna SMA connector(On housing)
- 1 x Mic-in, 1 x Line out
- 2 x USB 2.0/Ethernet (Host)
- 2 x LAN interface for 10/100/1000Base-T
- 1 x 9 ~ 36V, 3-pin (Power, Ignition, Ground), 10A
- 1 x Circle Type 22-pin Multi-I/O Connector
 - 1 x COM (optional RS-232/422/485; default RS-232)
 - 1 x COM (RS-232 Tx/Rx)
 - 1 x COM RS-232 (with either 0, 5 or 12V @ 600mA on pin9)
- 1 x Circle Type 10-pin CONN
 - 1 x OBDII module (option)
 - 2 x DI and 2 x DO
 - 1 x Circle Type 6-pin CONN for 5V/12VDC-out

Communication Module

- 1 x u-blox NEO-M8N module (support GPS/Gloness/QZSS/Galileo/Beidou)
- 1 x WLAN and Bluetooth combo module for optional
- 1 x WWAN module for optional

Power Management

- Selectable boot-up & shut-down voltage for low power protection
- HW design ready for 8-level delay time on/off at user's self configuration
- Power on/off ignition, software detectable
- Support: S4 suspend mode; wake on RTC/SMS

Environment

- Operating temperatures: Ambient with air -30°C to 60°C
- Storage temperatures: -30°C to 70°C
- Relative humidity: 10% to 90% (non-condensing)
- Vibration (random): 2g @5 ~ 500Hz
- Operating: MIL-STD-810G, 514.6 Procedure 1, Category 4
- Storage: MIL-STD-810G, 514.6 Procedure 1, Category 24
- Shock

Operating: MIL-STD-810G, Method 516.6, Procedure I, trucks and semi-trailers=20g
Crash hazard: MIL-STD-810G, Method 516.6, Procedure V, ground equipment=75g

Operating System

- WES2009
- WES 7E
- Win7 Pro Embedded

Standards/Certifications

- CE approval, FCC Class B
- CE EN 60950-1 LVD

Ordering Information

♦ VMC 4511-K (P/N: 10VC0451100X0)

12.1" (XGA, 1300Nits) vehicle mount computer, Core™ i7, w/ RS422/485, 2G Ram, Waterproof

♦ Bundle Accessories

SSD bracket and screws, GPS antenna (5M), Power connector, Driver CD

♦ Optional Accessories

Part No.	Description
6030000047X00	Circle Type 22-pin, Multi-I/O Cable
603LAN0001X00	External M12 to LAN Cable
603USB0001X00	External M12 to USB Cable